



DUAL FUEL BURNER _ GAS/LIGHT OIL SERIE GMX

1 stage from 22 up to 232 kW



Dual fuel light oil/gas burners, single stage, aluminium frame, protection cover with noise reduction plate, combustion head with adjustment at high efficiency and high flame stability.

Available in the versions Methane (natural gas) or G.P.L. (to specify at the order) on demand specific versions for town gas, coal gas or biogas.

Compact overall dimensions and disposition rationalized of the components with accessibility facilitated for the operations of setting and maintenance.

Gas train complete of working valve with flow adjustment, safety valve, gas pressure switch, filter stabiliser of gas pressure, completely assembled, electrically linked and tested.

Complete of connector 7 poles, flange and gasket for installation on boiler.

TECHNICAL DATA

MODEL		GM X0	GM X1	GM X3	GM X4
Thermal power min-max*	Mcal/h	19.5-29.5	25-60	50-130	100-200
	kW	22.6-34	29-70	58-151	116-232
Flow-rate G20 (NATURAL GAS) min-max*	Nm ³ /h	2.3-3.4	2.9-7	5.8-15.2	11.6-23.2
Flow-rate G31 (LPG) min-max*	Nm ³ /h	0.9-1.3	1.1-2.7	2.2-5.9	4.5-9
Fuel	NATURAL GAS (second family) - LPG (third family)				
Combustible category	2R' 2H' 2L' 2E+' 2Er' 2ELL' 2E(R)B 38/P' 3+' 3P' 38' 3R				
Intermittent operation (min. 1 stop every 24 hours) at 1 stage					
Allowed environment conditions on running/stock	-15...+40°C/-20...+70°C, rel. humidity max 80%				
Max temperature combustion air	°C	60	60	60	60
Min. pressure gas train D1/2"-S NATURAL GAS/LPG**	mbar	10/80	28/33	-	-
Min. pressure gas train D3/4"-S NATURAL GAS/LPG**	mbar	-	19/32	-	-
Min. pressure gas train D1"-S NATURAL GAS/LPG**	mbar	-	-	21/30	18/33
LIGHT-OIL flow rate min-max*	kg/h	2-3	2.5-6	5-13	10-20
Fuel	LIGHT-OIL 1.5° E a 20°C = 6.2 cSt = 35 sec Redwood N°1				
Nominal electric power	W	130	130	220	250
Fan motor	W	100	100	150	200
Power absorbed	A	0.6	0.6	1	1.1
Power supply	1/N~230V-50Hz				
Degree of electric protection		IP40	IP40	IP40	IP40
Noisiness***min-max	dba	56-58	57-59	65-66	67-68
Weight	kg	13	14	17	18

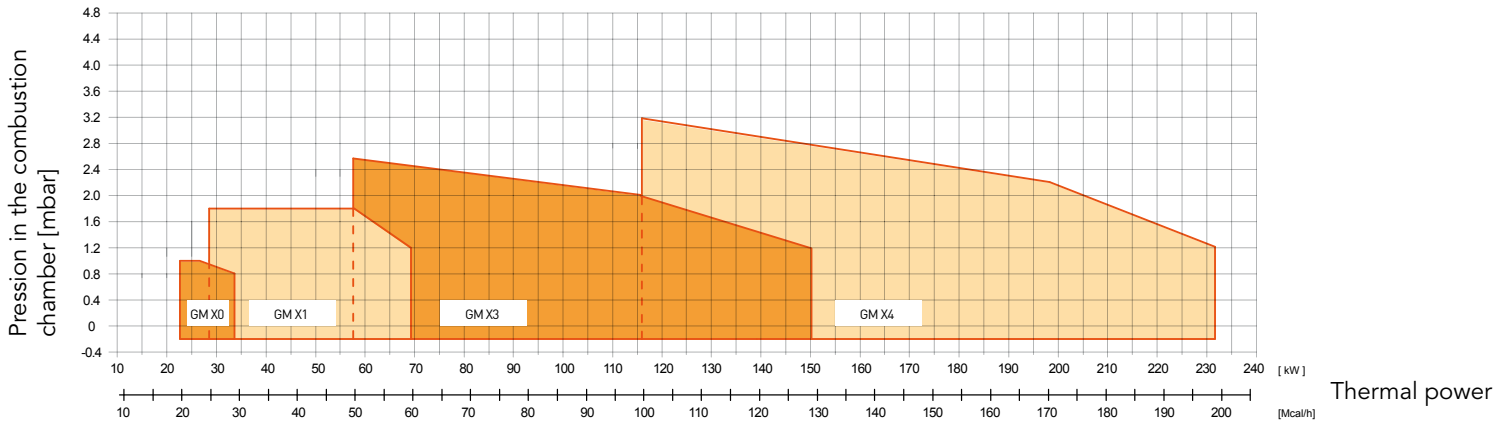
* Reference conditions: Room temperature 20°C - Atmospheric pressure 1013 mbars - Altitude 0m (sea level)

** Least pressure of feeding of the gas to the train to get the maximum power of the burner considering against pressure in chamber of value combustion 0 (zero)

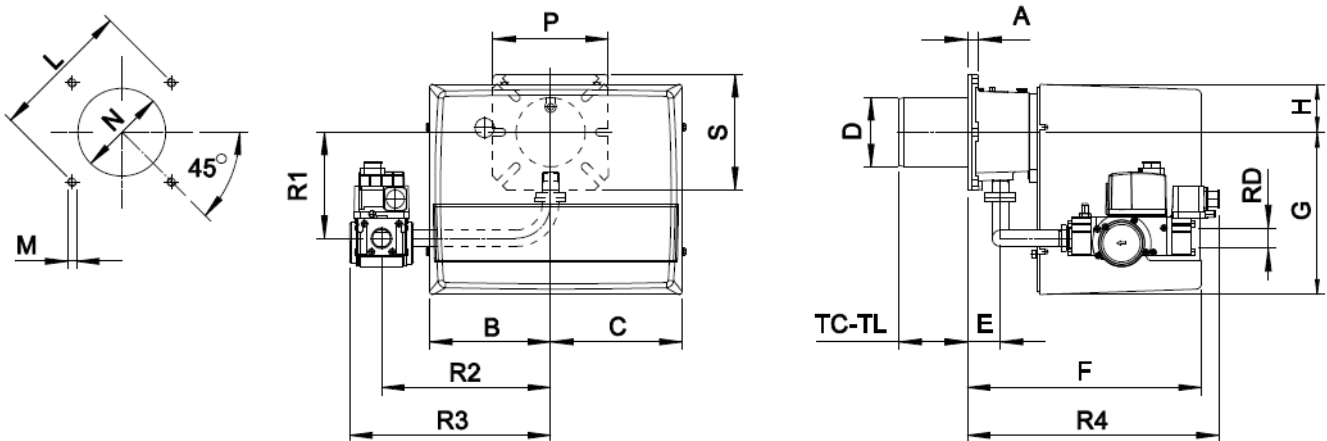
*** Measured sonorous pressure in the laboratory combustion, with functional burner on beta boiler to 1 m of distance (UNI EN ISO 3746 law)

Le illustrazioni e i dati riportati sono indicativi. F.B.R. Bruciatori S.r.l. si riserva il diritto di apportare, senza obbligo di preavviso, tutte le modifiche opportune, per l'evoluzione dei propri prodotti.
The illustrations and data here shown are indicative. F.B.R. Bruciatori S.r.l. reserves the right to bring, without any obligation of warning, any changes that would be appropriate to the continuing development of their products.

FIRING RATES: Thermal power - Pressure in combustion chamber



DIMENSIONS (mm)



* Suggested dimension of connection between burner and generator

MODEL	A	B	C	D	E	F	G	H	L min	L* max	M	N min	N* max	N max	P	S	TC	TL	R1	R2	R3	R4	RD	Gas train weight
GM X 0 - D1/2" - S	15	162	175	90	43	305	210	65	130	150	M8	100	110	130	150	150	90	150	132	200	254	240	1/2"	2 kg
GM X 1 - D1/2" - S	15	162	175	90	43	305	210	65	130	150	M8	100	110	130	150	150	90	150	132	200	254	240	1/2"	2 kg
GM X 1 - D3/4" - S	15	162	175	90	43	305	210	65	130	150	M8	100	110	130	150	150	90	150	138	220	262	328	3/4"	2 kg
GM X 3 - D1" - S	16	185	195	108	54	340	248	70	150	170	M8	120	130	140	190	150	130	250	168	280	337	361	1"	6 kg
GM X 4 - D1" - S	20	185	195	125	78	368	248	70	170	205	M10	130	140	160	200	200	160	280	173	280	337	385	1"	6 kg