

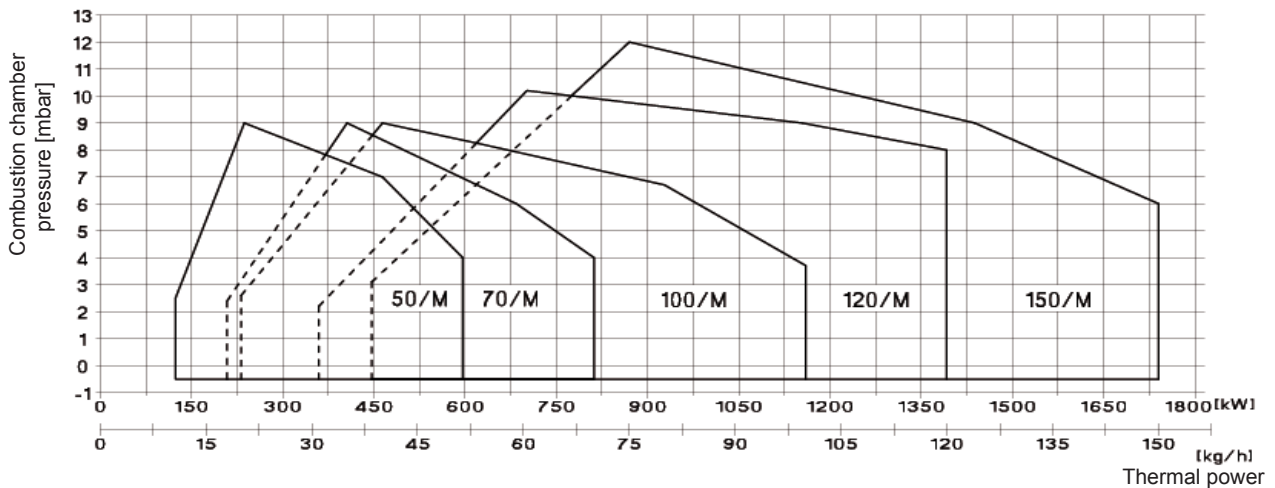
Burners for diesel two stages progressive (hi-low flame) or modulating (PID fully modulating) with the addition of the optional system modulation kit plus feeder. Fan at high pressurisation, combustion head with adjustment at high efficiency and high flame stability. Disposition rationalized of the components with accessibility facilitated for the operations of setting and maintenance. Complete of gasket for installation on boiler, industrial nozzle with return, flexible pipes, line filter.

TECHNICAL DATA

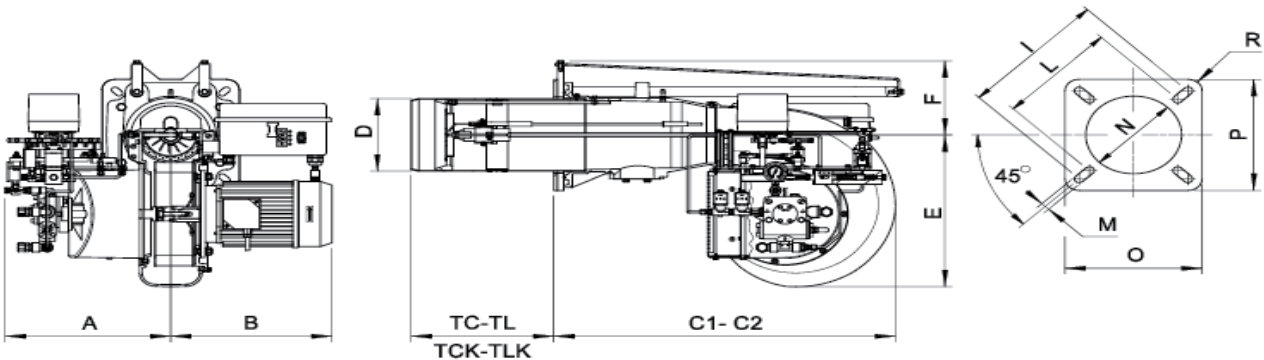
MODELLO		FGP 50/M	FGP 70/M	FGP 100/M	FGP 120/M	FGP 150/M
Delivery min 1°st./min 2° st.-max 2° st. *	kg/h	10.5/20-50	18/35-70	20.5/40-100	29/60-120	38.5/75-150
Thermal power min 1°st./min 2° st.-max 2° st. *	Mcal/h	107/204-510	180-350-700	205/400-1000	290/600-1200	385/750-1500
	kW	124/237-592	209/406-812	238/464-1160	336.5/696-1392	446.5/870-1740
Fan motor power	W	1.1	1.5	2.2	3	4
Electrical supply	tri-phase 230/400V (-15% +10%) - 50Hz					
Fuel	LIGHT OIL 1.5°E a 20°C = 6.2 Cst = 35 sec Redwood N°1					
Burner weight **	kg	51	62	78	89	92

_Degree of electric protection: IP44 _Maximum combustive air temperature: 60°C _Intermittent operation (min. 1 stop every 24 hours) at two stages progressive and modulating _Allowed environment conditions on running/stock: -15...+40°C / -20...+70°C, relative umidity max. 80%
 * Reference conditions: Room temperature 20°C _Atmospheric pressure 1013 mbars _Altitude 0 (sea level)
 ** Add 3 kg in case of long head burner

FIRING RATES: Thermal power - Pressure in combustion chamber



DIMENSIONS (mm)



MODEL	A	B	C1	C2	ØD	E	F	I	L	M	N	O	P	R	TC	TCK	TL	TLK
FGP 50/M	350	305	530	-	150	327	145	226	205	M10	160	220	220	R30	250	-	335	-
FGP 70/M	350	310	700	1140	165	327	171	368	340	M12	180	320	320	R20	-	250	335	-
FGP 100/M	386	375	651	1150	175	438	173	368	340	M12	190	320	320	R20	-	235	-	370
FGP 120/M	386	376	815	1395	209	438	213	368	340	M14	230	320	320	R20	200	-	400	-
FGP 150/M	386	397	815	1395	209	438	213	368	340	M14	230	320	320	R20	200	-	400	-

Le illustrazioni e i dati riportati sono indicativi. F.B.R. Bruciatori S.r.l. si riserva il diritto di apportare, senza obbligo di preavviso, tutte le modifiche opportune, per l'evoluzione dei propri prodotti. The illustrations and data here shown are indicative. F.B.R. Bruciatori S.r.l. reserves the right to bring, without any obligation of warning, any changes that would be appropriate to the continuing development of their products.