

Burners for gas two stages progressive (hi-low flame) or modulating (PID fully modulating) with the addition of the optional system modulation kit plus feeder. Fan at high pressurisation, combustion head with adjustment at high efficiency and high flame stability.

Disposition rationalized of the components with accessibility facilitated for the operations of setting and maintenance.

Gas train complete of working valve with flow adjustment, safety valve, gas pressure switch, filter stabiliser of gas pressure, completely assembled, electrically linked and tested.

TECHNICAL DATA

MODEL	GAS XP60/MCE	
Thermal power min.1°st./min 2° st.-max 2° st. *	Mcal/h	70/200-450
	kW	81.2/232-522
Flow-rate G20 (NATURAL GAS) min.1°st./min 2° st.-max 2° st. *	Nm ³ /h	8.2/23.4-52.6
	Nm ³ /h	3.2/9-20.3
Flow-rate G31 (G.P.L.) min.1°st./min 2° st.-max 2° st. *		
Fuel: NATURAL GAS (second family) - LPG (third family)		
Combustible category		
Intermittent operation (min. 1 stop every 24 hours) at two stages progressive or modulating		
Environmental conditions operation/storage		
Maximum inlet pressure to the valves	°C	60
Min. pressure train D1" FS32 NATURAL GAS/LPG **	mbar	47/30
Min. pressure train D1" 1/2 FS40 NATURAL GAS/LPG **	mbar	15/21
Min. pressure train D1" 1/2 FS50 NATURAL GAS/LPG **	mbar	12/16
Max pressure on the valve's inlet	mbar	200
Nominal electric power	W	935
Fan motor	W	740
Power absorbed	A	2
Auxiliary power absorbed	A	0.5
Power supply	3~400V,1/N~230V-50Hz	
Degree of electric protection	IP40	
Noisiness *** min-max	dBA	73-76
Weight ****	kg	36

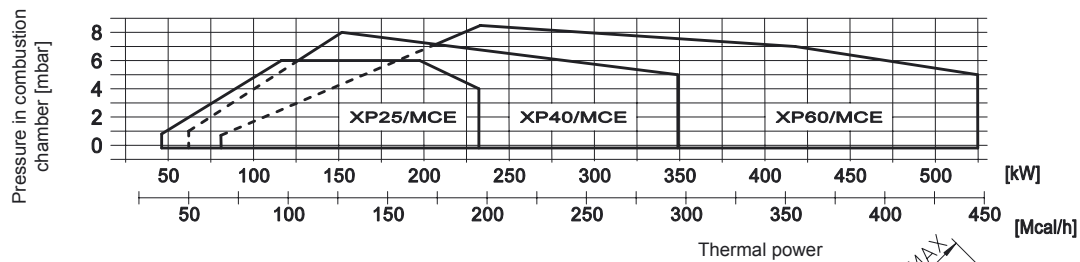
* Reference conditions: Room temperature 20°C - Atmospheric pressure 1013 mbars - Altitude 0 (sea level).

** Least pressure of feeding of the gas to the train to get the maximum power of the burner considering against pressure in chamber of value combustion 0 (zero)

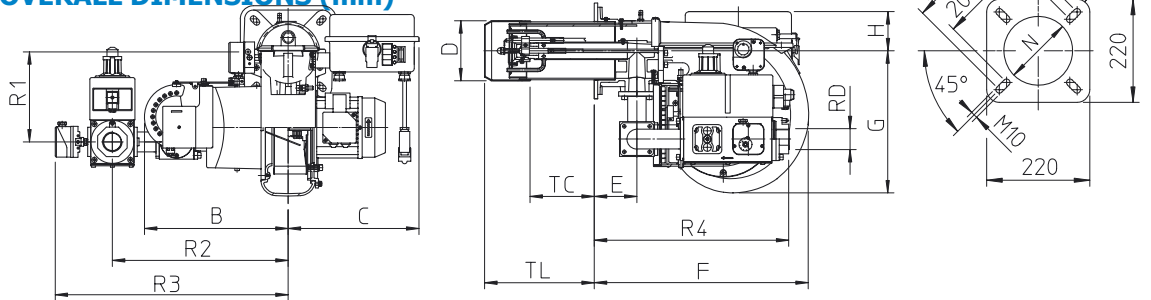
*** Measured sonorous pressure in the laboratory combustion, with functional burner on beta boiler to 1 m of distance. (UNI EN ISO 3746)

**** For burner version TL ad kg 1 to the weight.

OPERATING RANGE: Thermal power - Pressure in combustion chamber



OVERALL DIMENSIONS (mm)



MODEL	B	C	D	E	F	G	H	N	TC	TL	R1	R2	R3	R4	RD	Train weight
GAS XP60/MCE-D1"-FS32	331	301	150	98	493	327	90	160	250	335	203	411	508	390	Rp 1	10 kg
GAS XP60/MCE-D1"1/2-FS40	331	301	150	98	493	327	90	160	250	335	203	411	550	468	Rp 1 1/2	15 kg
GAS XP60/MCE-D1"1/2-FS50	331	301	150	98	493	327	90	160	250	335	203	411	550	468	Rp 1 1/2	17 kg